

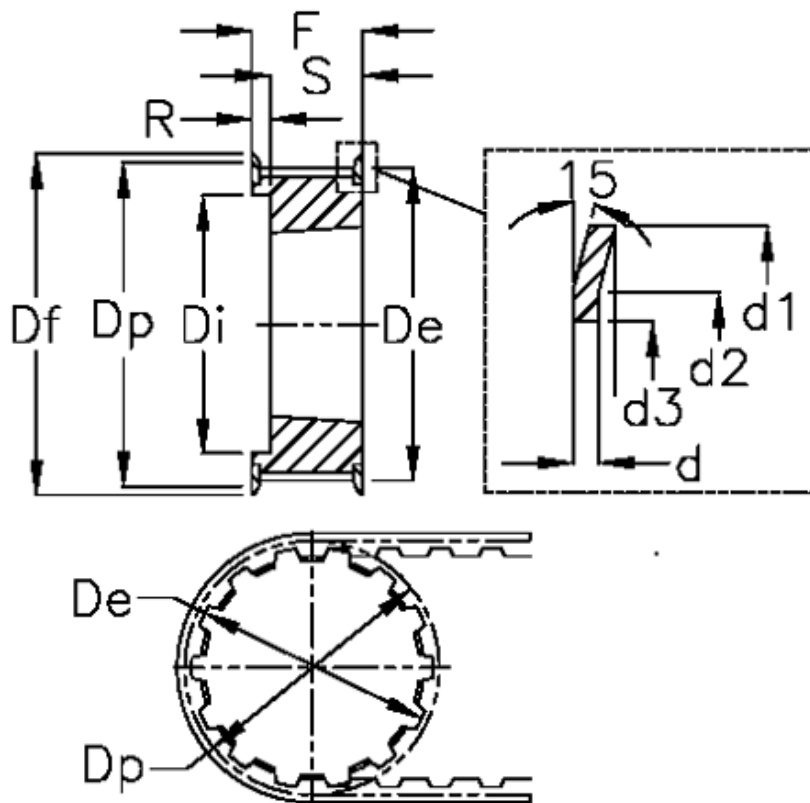
# Data Sheet



Article number: 604132028020

Description: Taper bored timing belt pulley  
HTD 28 8M 20 TL 1108

## Measures



|            |                    |               |
|------------|--------------------|---------------|
| d = 1.5    | F = 28             | Weight = 0.44 |
| d1 = 75    | Flange type = F27  | Width = 20    |
| d2 = 68.5  | For bushing = 1108 |               |
| d3 = 60    | Max bore = 25      |               |
| De = 70.08 | r = 6              |               |
| Df = 75    | S = 22             |               |
| Di = 50    | Tooth number = 28  |               |
| Dp = 71.3  | Type = 8M          |               |